

# Paint Mate 200iA & Paint Mate 200iA/5L

## Basic Description

FANUC Robotics' Paint Mate robot is a compact, electric servo-driven paint robot with best-in-class performance designed for operation in a hazardous environment. Based on the highly-acclaimed LR Mate® series, this robot's envelopes, speed, and dexterity are a perfect fit for coatings and hazardous duty applications. The Paint Mate can be used for small parts painting or a material saving alternative to multiple fixed guns.

## Paint Mate, the Solution for:

- Painting
- Coating
- Assembly and Handling in Hazardous Environments
- Material removal where hazardous cooling chemicals are present
- Dispensing

## Features

- *iPendant™*, a color, Internet-ready teach pendant for even easier programming and custom cell user interface design.
- Optional one or four pneumatic three-way solenoid valves located in the purge cavity for gun triggering capability.
- Floor, invert, angle and wall mounting permits versatility for robot location and allows for minimal spray booth size.
- Absolute serial encoders eliminate the need for calibration at power-up.
- Standard FANUC Robotics purge control.



- Approved for use in hazardous locations; see specifications for details.
- FM: Flex field and rigid conduit ATEX: ROX
- Tabletop size, slim wrist, and small footprint permit operation in tight work spaces
- Extremely fast acceleration and deceleration motion results in faster cycle times.
- Control Reliable Safety Circuit (RIA1506.1999 compliant)

## Reliability and Maintenance Advantages

- The latest generation of a proven design
- Sealed bearings and brushless AC motors
- Purged and pressurized cavities
- Designed for painting environment

## Software

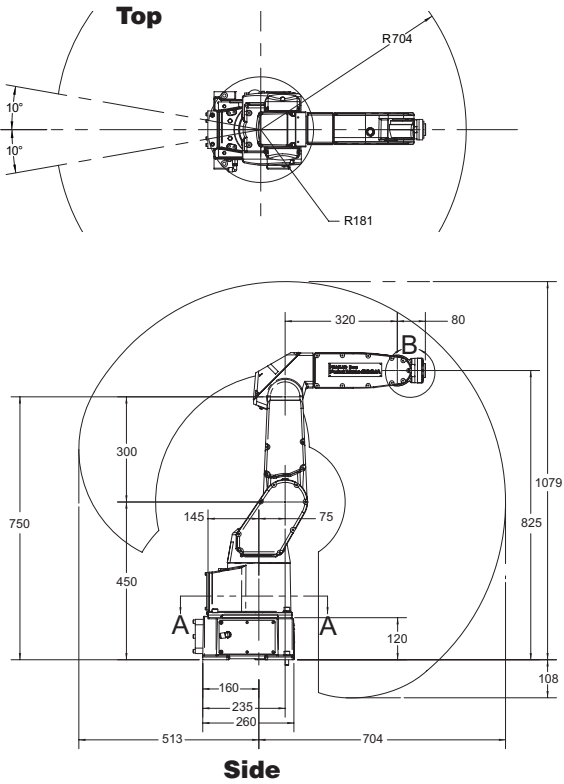
Two standard software applications are available:

- HandlingTool™ allows for the setup, programming, and operation for basic and custom applications. Built-in macro functions including paint application plug-in routines and menu-driven programming tools allow users to create, test, and run robot application programs with minimal training and program assistance.
- PaintTool™ software with optional configurations for stand alone or multi robot systems with built-in paint function controls:
  - Analog parameter control
  - Color change control
  - "Cancel/Continue" feature
  - Integral 2K variable ratio Pump Control
  - ACCUFLOW™ closed-loop fluid control.
  - Line tracking
  - Collision detection
  - Internet connectivity
  - KAREL® programming language*Process control hardware must be added separately.*

**FANUC**  
Robotics

## Dimensions

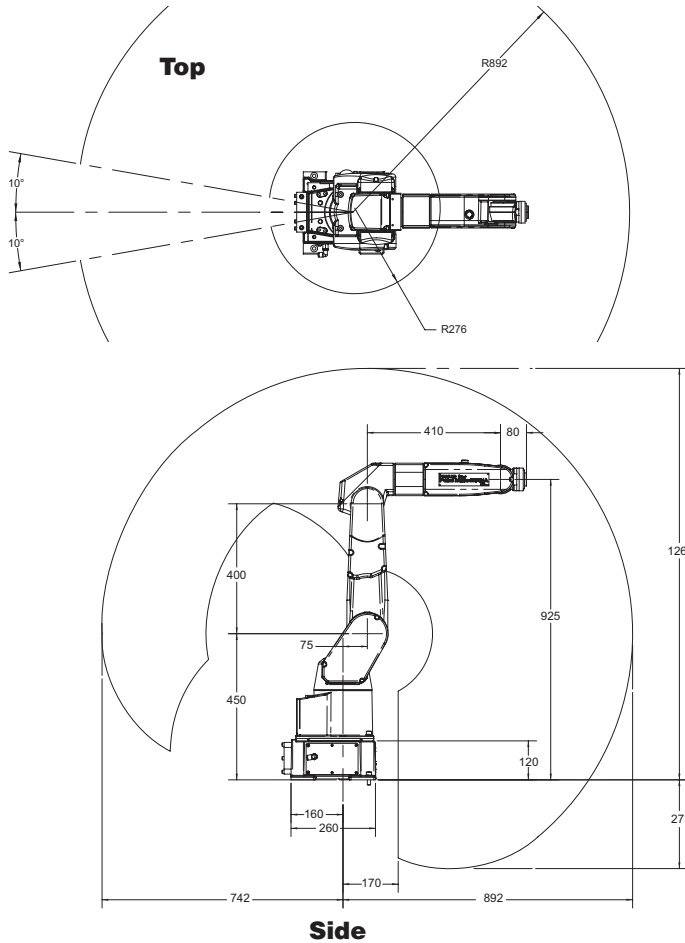
### Paint Mate 200iA



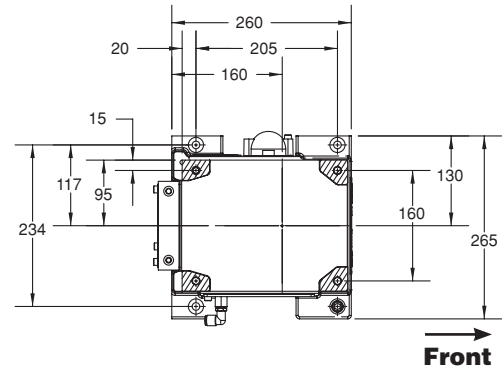
## Paint Mate Isometric



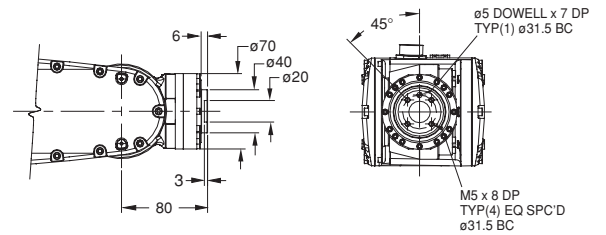
### Paint Mate 200iA/5L



## Footprint (All models)



## Wrist (All models)

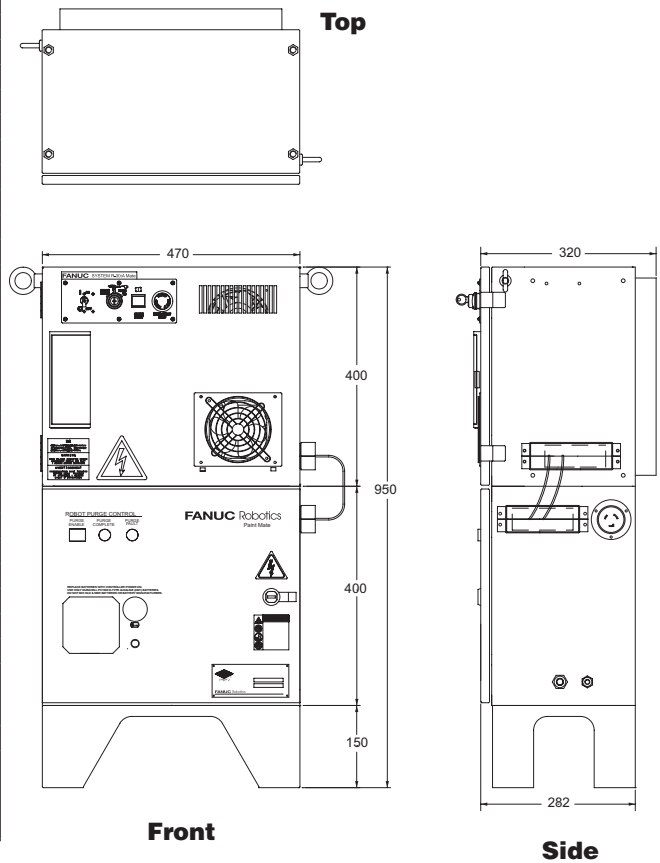


## Paint Mate Series Robot Specifications

Items	Paint Mate 200iA	Paint Mate 200iA/5L
Axes	6	6
Payload - wrist (kg)	5	5
Reach (mm)	704	892
Repeatability (mm)	±0.02	±0.03
Interference Radius (mm)	181	181
Motion range (degrees)	J1	340
	J2	200
	J3	388
	J4	380
	J5	240
	J6	720
Motion speed (degrees/s)	J1	350
	J2	350
	J3	400
	J4	450
	J5	450
	J6	720
Wrist moments N-m (kgf-m)	J4	11.9 (1.21)
	J5	11.9 (1.21)
	J6	6.7 (0.68)
Wrist load inertia (kg-m <sup>2</sup> )	J4	0.3
	J5	0.3
	J6	0.1
Mechanical brakes	All axes	All axes
Mechanical weight (kg)	35	37
Mounting method <sup>(1)</sup>	Floor, ceiling, angle and wall	
Installation environment		
Temperature (°C)	0 to 45	
Humidity	Normally: 75% or less Short term (within a month): 95% or less No condensation	
Vibration m/s <sup>2</sup> (G)	0.5 or less	
Ratings	FMuc Class I, II, III, Div I, Group C, D, E, F, G T4 45°C Ambient ATEX $\text{C} \ll \text{II} 2 \text{ G c Ex ib px IIB T4 Ta=0}^\circ\text{C to } +45^\circ\text{C}$ ATEX $\text{C} \ll \text{II} 2 \text{ D c Ex pD 21 T } 135^\circ\text{C Ta=0}^\circ\text{ to } +45^\circ\text{C}$ Note: <i>i</i> Pendant™ for non-hazardous areas only	

Note: (1) J1 and J2 axes motion range will be limited for angle and wall mount installations.

## R-30iA Mate Controller Dimensions



## R-30iA™ Mate Controller Specifications

Items	
External Dimensions (mm)	- 470(W) x 320(D) x 950(H)
Weight	- 56 kg
Operating Environment	- Ambient temperature: 0 - 45 °C (R-30iA Mate) Humidity: 75% RH or less; Short term (within a month): 95% or less Vibration: 0.5G or less
Power Supply	- 200-230VAC Single Phase; +10%, -15%, 50/60 Hz ± 1Hz
Power Consumption	- 0.5 KW (average), 1.2 KVA (maximum)
CPU	- Multi-processor architecture (separate motion and communication) with real-time clock/calendar
Controlled Axes	- 24 (up to 5 motion groups for R-30iA Mate)
Serial/host communications	- One 100 Base-TX/10 Base-T Ethernet port with RJ-45 connector - One RS-232-C / RS-485 port
Teach Pendant	- Color graphic <i>i</i> Pendant™ with available touch screen option (Not in hazardous area)
<i>i</i> RVision®	- Built-in camera interface for 2-D vision applications Optional: multiplexer for multiple 2-D cameras and 3-D vision
Built-in I/O	- Up to 28 digital inputs / 24 digital outputs 24VDC (external 24VDC power supply is required for digital outputs)
Safety Features	- Dual Check Safety (DCS) circuit
Memory Card	- PCMCIA type 2 interface: ATA flash disk (SanDisk compatible)
<b>R-30iA Mate Controller Options:</b>	
I/O sub-systems	- Model A I/O (remote mounted modular rack- 5 or 10 slots) - Model B I/O (distributed DIN rail mounted) - FANUC I/O link
Remote I/O sub-systems	- DeviceNet (single channel slave) - Profibus DP slave/master - CC-Link (slave) - Ethernet I/O (EGD and EIP Adapter/Scanner)
Integrated PMC	- Ladder logic control for peripheral devices - Including ladder monitor with hot edit on <i>i</i> Pendant

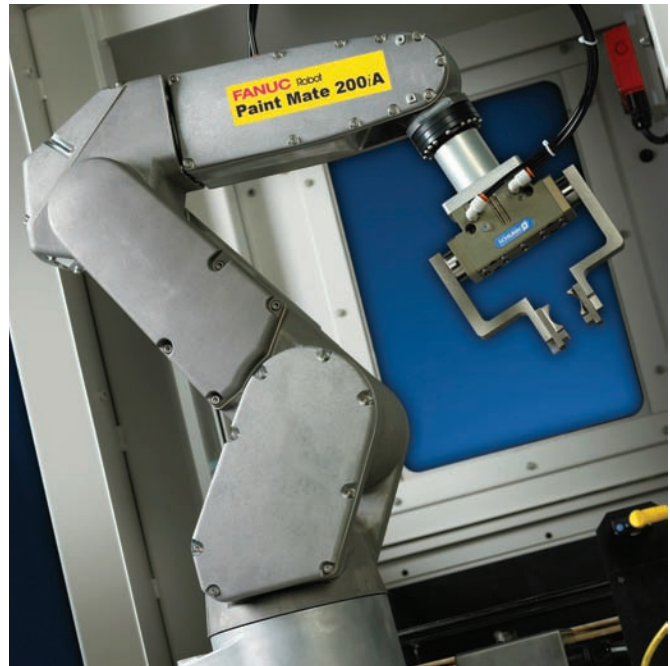
## Isometric



Note: Dimensions are shown in millimeters.  
Detailed CAD data is available upon request.



Paint Mate - Maximum performance at minimal cost. Affordable robotic automation for small parts coating.



Class 1 Division 1 hazardous approval ratings enables the Paint Mate robot to be used for handling applications in explosive and extreme environments



FANUC Robotics offers a complete line of painting robots and turnkey system solutions for all your coatings needs.

## Intelligent Robot Solutions



**FANUC Robotics America, Inc.**  
**3900 W. Hamlin Road**  
**Rochester Hills, MI 48309-3253**

Charlotte, NC  
 (704) 596-5121

Toronto, Canada  
 (905) 812-2300

Chicago, IL  
 (847) 898-6000

Montréal, Canada  
 (450) 492-9001

**For sales or technical information, call:**  
**1-800-iQ-ROBOT**

Cincinnati, OH  
 (513) 754-2400

Aguascalientes, Mexico  
 52 (449) 922-8000

Los Angeles, CA  
 (949) 595-2700

Sao Paulo, Brazil  
 (55) (11) 3619-0599

**marketing@fanucrobotics.com**  
**fanucrobotics.com**

Toledo, OH  
 (419) 866-0788